

PHOTO NOT
AVAILABLE

Specification:

Heavy-duty gas range attachment with storage base, Model M4S. Two (2) 35,000 BTU (10.25 kW) two piece Starfire burners. Heavy-duty cast iron top grate/ring grates. 17" (432mm) wide x 38" (965mm) deep, including 7½" (191 mm) deep stainless steel front rail. Stainless steel front, including storage base door, with black powder coat epoxy sides. 70,000 BTU (20.51 kW) total. Natural or propane gas. AGA, CGA certified and NSF listed. MST prefix - models carry CE mark for Europe. (Also available as modular top. Model M4T).

Standard Features:

- Stainless steel front: black powder coat epoxy side
- Stainless steel door
- 6" (152mm) chrome steel adjustable legs
- 7-1/2" (191mm) stainless steel front rail
- Two (2) 35.000 BTU (10.25 kW), (natural gas) two -piece Starfire burners with removable heads
- Removable ring grate bowl over each burner
- Cast iron top grates
- One piece stainless steel drip tray
- Storage base interior of aluminized steel
- One year limited warranty (USA & Canada only)

Optional Features:

- Stainless steel left, right or both side
- Stainless steel main back
- Stainless steel common front rail up to 68" (1728mm) wide (two or more units in a battery)
- Rear gas connection, 3/4" NPT
- End caps and cover (no charge) - must specify
- Swivel casters (4) w/front brakes
- Polyurethane non-marking swivel casters (4) w/front brakes
- 6" (152mm) stainless steel adjustable legs
- 4" (102mm) chrome steel adjustable legs
- Modular stand, (T model)
- Toe base, (S model)
- Storage base shelf of aluminized or stainless steel
- Single deck stainless steel tubular high shelf
- Double deck stainless steel tubular high shelf
- 10" (254mm) high stainless steel backguard
- 17" (432mm) high stainless steel backguard
- 33" (838mm) high stainless steel backguard
- MS-model prefix - Open burners w/pilot shut-off valve, e.g. MS4S, MS4T
- MST- model prefix - Sentry total flame failure protection on all burners, e.g. MST4S, MST4T
- E-model suffix-electric spark ignition on all pilots for MS & MST models only, e.g. MST4S-E
- 230 volt, 50 cycle components electric ignition (export)

NOTE: Attachments supplied with casters must be installed with an approved restraining device.



Garland Commercial Industries, Inc.
 185 East South Street
 Freeland, Pennsylvania 18224
 Phone: (570) 636-1000
 Fax: (570) 636-3903

Garland Commercial Ranges Ltd
 1177 Kamato Road, Mississauga, Ontario
 L4W 1X4 CANADA
 Phone: 905-624-0260
 Fax: 905-624-5669

Enodis UK LTD
 Swallowfield Way, Hayes, Middlesex
 UB3 1DQ ENGLAND
 Telephone: 081-561-0433
 Fax: 081-848-0041



Item #: _____
 Model: M4S, M4T
 Product Name: Master Series Open Burner Range Attachment

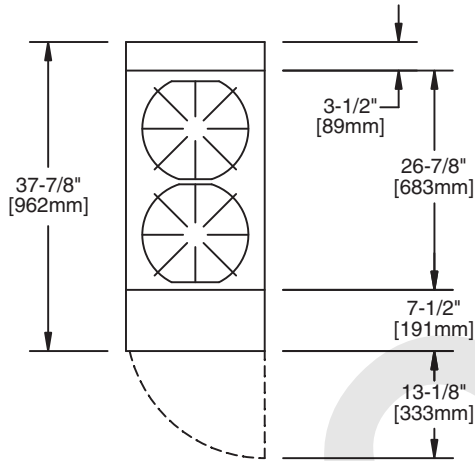
Product	Width: In(mm)	Depth: In(mm)	Height: In(mm) (w/ NSF Legs)	Height: In(mm) (w/o NSF Legs)	Storage Base Interior: in(mm)		
					Width	Depth	Height
M4S	17(432)	38(965)	36-3/8(924)	30-3/8(772)	14(356)	32-1/2(826)	20-1/2(519)
M4T	17(432)	38(965)	36-3/8(924) w/stand	6-7/8(175) w/o stand*	N/A	N/A	N/A

NOTE: MS4T & MST4T are 9-1/2" (244mm) high *Modular top has 1-1/2" seating flanges.

INPUT-BTU/hr (Natural Gas)	M4S	kW Equivalent	M4T	kW Equivalent
2 Open Burners (35,000 BTU each)	70,000	20.51	70,000	20.51

S=Range w/Storage Base T=Modular Top

INSTALLATION NOTES			Shipping Wt: (Lb/Kg)
Combustible Wall Clearances ¹	Entry Clearances	Manifold Pressure	
Sides: 14" (356mm) Back: 6" (152mm)	Crated: 22 1/4" (565mm) Uncrated: 17-1/4" (438mm)	Natural: 6" WC (15mbar) Propane: 10" WC (25mbar)	M4S 200/91 M4T 120/55



¹NOTE: Installation clearance reductions are applicable only where local codes permit.

Data applies only to North America

Gas input ratings shown here are for installations up to 2,000 ft. (610m) above sea level. Specify altitudes over 2,000 ft.

Commercial cooking equipment requires an adequate ventilation system. For additional information, refer to the National Fire Protection Association's standard NFPA96. (for North America only)

Please specify gas type when ordering.

